

FORM A: BID
(See B8)

1. Contract Title SUPPLY AND DELIVERY OF AG TRACTORS

2. Bidder

Name of Bidder

Usual Business Name of Bidder as it appears on Invoice (if different from above)

Street

City

Province

Postal Code

Email Address of Bidder

Facsimile Number

(Mailing address if different)

Street or P.O. Box

City

Province

Postal Code

GST Registration Number (if applicable)

The Bidder is:

(Choose one)

a sole proprietor

a partnership

a corporation

carrying on business under the above name.

3. Contact Person

The Bidder hereby authorizes the following contact person to represent the Bidder for purposes of the Bid.

Contact Person

Title

Telephone Number

Facsimile Number

Email Address

4. Definitions

All capitalized terms used in the Contract shall have the meanings ascribed to them in the General Conditions and D3.

5. Offer The Bidder hereby offers to perform the Work in accordance with the Contract for the price(s), in Canadian funds, set out on Form B: Prices, appended hereto.

6. Commencement of the Work The Bidder agrees that no Work shall commence until he/she is in receipt of a notice of award from the Award Authority authorizing the commencement of the Work.

7. Contract The Bidder agrees that the Bid Opportunity in its entirety shall be deemed to be incorporated in and to form a part of this offer notwithstanding that not all parts thereof are necessarily attached to or accompany this Bid.

8. Addenda The Bidder certifies that the following addenda have been received and agrees that they shall be deemed to form a part of the Contract:

No.	Dated
_____	_____
_____	_____
_____	_____

9. Time This offer shall be open for acceptance, binding and irrevocable for a period of sixty (60) Calendar Days following the Submission Deadline.

10. Signatures The Bidder or the Bidder's authorized official or officials have signed this _____ day of _____, 20____.

Signature of Bidder or
Bidder's Authorized Official or Officials

(Print here name and official capacity of individual whose signature appears above)

(Print here name and official capacity of individual whose signature appears above)

FORM B: PRICES
 (See B9)

SUPPLY AND DELIVERY OF AG TRACTORS

UNIT PRICES

ITEM NO.	DESCRIPTION	SPEC. REF.	UNIT	QUANTITY	UNIT PRICE
1.	Ag Tractor 40HP PTO (Open Station) with Turf Tires	17057	Each	3	
1a.	Ag Tractor 40HP PTO (Open Station) with Industrial Tractor Tires	17057	Each	3	
1b.	Option 1: Front Weight Kit	17057	Each	5	
2.	Ag Tractor 45HP PTO (Open Station)	17058	Each	2	
3.	Ag Tractor 60HP PTO (Open Station)	17059	Each	1	
4.	Ag Tractor 60HP PTO with Cab with Turf Tires	17060	Each	6	
4a.	Ag Tractor 60HP PTO with Cab with Industrial Tractor Tires	17060	Each	1	
4b.	Ag Tractor 60HP PTO with Cab with Agricultural Tractor Tires	17060	Each	1	
4c.	Ag Tractor 60HP PTO with Cab with Turf Tires and Agricultural Tires	17060	Each	1	
4d.	Option 2: Front Weight Kit	17060	Each	9	
4e.	Option 3: Rear Wheel Weight Kit	17060	Each	5	
5.	Ag Tractor 75HP PTO with Cab	17061	Each	1	
5a.	Option 4: Rear and Side Flail Mowers	17061	Each	1	

 Name of Bidder

FORM N: DETAILED SPECIFICATIONS 17057
AG TRACTOR (40HP PTO) OPEN STATION

1.0 DESCRIPTION OF EQUIPMENT

- 1.1 These specifications describe an **Ag Tractor** and other equipment and features as specified herein.
- 1.2 The **Ag Tractor** shall be a new 2018 model year or newer.
- 1.3 The **Ag Tractor** and all other items/components shall be the manufacturer's latest model. The equipment shall be furnished complete and ready for operation. Any parts or accessories not specifically mentioned, but which are required to complete and place the equipment and associated attachments in successful operation shall be furnished as though specifically mentioned in these specifications. The equipment and associated attachments, and all parts thereof, shall conform in strength and quality of material and workmanship, to the best standards and engineering practice of the industry.
- 1.4 It will be the responsibility of the Bidder to inform the City of any errors or omissions in these specifications, for under this Contract the Contractor shall be held responsible for the satisfactory operational function of the equipment.

2.0 OTHER SPECIFICATIONS AND STANDARDS

- 2.1 All applicable SAE standards form an integral part of these specifications and shall have precedence in any conflict concerning minimum acceptable standards.

- 2.2 The **Ag Tractor** shall comply with the applicable regulations:

National Safety Mark, NSM = <http://www.tc.gc.ca/eng/acts-regulations/acts-road.htm>

Manitoba Safety and Health Act, Parts 12, 22 =
<http://web2.gov.mb.ca/laws/statutes/ccsm/w210e.php> and <http://www.gov.mb.ca/labour/safety/>

Canadian Standards Association, CSA = <http://www.csa.ca/about/Default.asp?language=english>

Under Writers of Canada, U/L = <http://www.ulc.ca/>

Society of Automotive Engineers, SAE = <http://www.sae.org/>

City of Winnipeg Lighting Visibility
Standard=<http://winnipeg.ca/matmgt/pdfs/PublicWorksEquipLightingVisibility.pdf>.

- 2.3 It will be the responsibility of the Bidder to inform the City of any deficiencies in these specifications, for under this Contract the Contractor shall be held responsible for the design, performance, reliability and satisfactory operational function of the units.

3.0 SERVICE FACILITY

- 3.1 For the purpose of warranty repairs, the Bidder shall have an authorized service facility located within 10 km of the boundaries of the City of Winnipeg. The facility, or a portion thereof, shall be dedicated to the service and maintenance of the type equipment being offered. Further to B9.1, Bidders shall provide a description of the service facility including, but not limited to, number of qualified service staff, years of service experience, and general service capabilities within three (3) Business Days upon request of the Contract Administrator.

4.0 REFERENCES

- 4.1 Provide five (5) references where this equipment is used in a working environment where climatic conditions are similar to the City of Winnipeg.

5.0 MAKE & MODEL

- 5.1 Eligible models are: **Kubota L4760, John Deere 4052, Case Farmall 45C or 55C, New Holland Boomer 50 or EQUIVALENT.**

- 5.2 **State** make, model and year of the equipment bid-_____

6.0 INSTRUCTIONS FOR COMPLETION OF SPECIFICATIONS

- 6.1 Each bid will be evaluated based on adherence to all terms, conditions and requirements outlined in the Bid Opportunity package.

- 6.2 All items in these specifications must be answered indicating compliance or non-compliance. **BIDDERS SHALL STATE "YES" FOR COMPLIANCE OR STATE DEVIATION**, or give reply where requested to do so. Deviations shall be clearly stated and fully detailed. Alternatives will be considered subject to evaluation.

- 6.3 **EACH BIDDER IS REQUIRED TO FILL IN EVERY BLANK. FAILURE TO DO SO MAY BE USED AS A BASIS FOR REJECTION OF BID**

7.0 PERFORMANCE RELIABILITY

- 7.1 The responsibility for the design of the **Ag Tractor**, its performance and reliability shall rest upon the Contractor.

- 7.2 The term "repeated failures" as used herein is defined to mean that the same component, subassembly, or assembly develops repeated defects, breakdowns and/or malfunctions rendering the vehicle inoperative, or requiring repeated shop correction, service and/or replacement during the warranty period applicable for said component, subassembly, of assembly. Minor items or ordinary service adjustments are not included, or considered under the scope of "repeated failures", as well as other factors, such as operational damage due to accidents, misuse or lack of proper maintenance, service and lubrication attention by not following the manufacturer's preventative maintenance schedule.

- 7.3 Where the **Ag Tractor** develops "repeated failures" in service, the Contractor shall make any necessary engineering changes, repairs, alterations or modifications in order to guarantee reliability of performance.

- 7.4 The equipment shall be capable of consistent top performance in City of Winnipeg Environment. Note: The City of Winnipeg has four seasons with ambient temperatures ranging from approximately 90°F (32°C) to -40°F (-40°C)

8.0 FUEL

- 8.1 Where applicable, all equipment must be fully fuelled upon delivery (no exceptions).

9.0 QUALIFICATIONS OF MANUFACTURER & CONTRACTOR

- 9.1 The manufacturer of the **Ag Tractor** shall have five (5) years continuous experience manufacturing the equipment.

- 9.2 The manufacturer shall have in effect a documented quality control program ensuring that the quality of materials and workmanship, including welding, conforms to the best standards and engineering practice of the industry.
- 9.3 The Contractor shall have five (5) years continuous experience servicing, repairing and maintaining **Ag Tractor and associated attachments** of the type being offered.

10.0 SPECIFICATIONS:

ENGINE

- | | | | |
|-------|------------------------------|--|-------|
| 10.1 | Engine type | Diesel, state manufacturer. | _____ |
| 10.2 | Tier | Tier IV final, state . | _____ |
| 10.3 | Engine HP (Gross) | Approx. 48 HP. | _____ |
| 10.4 | PTO HP | Approx. 40 HP. | _____ |
| 10.5 | Anti-stall feature on engine | Protect engine and PTO from stalling when under heavy load (not a governor). | _____ |
| 10.6 | Auto throttle | For synchronizing tractor speed and engine rpm. | _____ |
| 10.7 | Cruise control | For constant working speed. | _____ |
| 10.8 | Rated speed, RPM | State rated RPM Speed. | _____ |
| 10.9 | Air cleaner | Dry type air cleaner. | _____ |
| 10.10 | Fuel tank capacity | State capacity.
The City of Winnipeg requires units to carry enough fuel to run 10 shifts without refueling. Normal usage cutting grass and travel between work sites. | _____ |
| 10.11 | Throttle | Hand or foot throttle control, state . | _____ |

ELECTRICAL

- | | | | |
|-------|----------------------------------|--|-------|
| 10.12 | Alternator | Approx. 45 Amps, State . | _____ |
| 10.13 | Lockable power disconnect switch | Connected to battery. Prevents low-draw accessories from draining battery in long-term storage. Switch to be lockable with a pad lock. | _____ |

DRIVE TRAIN

- | | | | |
|-------|--------------|---|-------|
| 10.14 | Transmission | Hydrostatic transmission 4 wheel drive, (3 speed with hi-low range) with adjustable hydrostatic response. | _____ |
|-------|--------------|---|-------|

10.15	No. of speeds	State , No. of speeds for forward and reverse.	_____
10.16	Brakes	Wet, multi disc.	_____
10.17	Steering	Hydrostatic power steering.	_____
10.18	Drive	4x4 (4 wheel drive).	_____

PTO

10.19	Type	Full independent of manual.	_____
10.20	Rear (rpm)	Approx. 540 rpm.	_____

HYDRAULICS

10.21	Pump gpm	State gpm.	_____
10.22	Total flow	State total gpm flow.	_____
10.23	Mid mount hydraulic couplers	Remote hydraulics with ability to control two (2) separate functions, quick release connectors.	_____
10.24	Rear mount hydraulic couplers	Remote hydraulics with ability to control two (2) separate functions, quick release connectors.	_____
10.25	Hitch lift	State hitch lift capacity.	_____
10.26	Hitch category	Adjustable category I-II (3) point hitch. With draw bar. With telescopic lower link ends (adjustable length).	_____
10.27	Adjustable stabilizer linkage	To secure rear mounted attachments (check chains not acceptable).	_____
10.28	Safety "U" Brackets/eyelets or equivalent	For attachment of safety chains from attachments.	_____

OPERATOR STATION

10.29	Instrumentation	Alternates, warning light- engine oil pressure light. Gauges – water, fuel, tachometer w/ hour meter.	_____
10.30	Hardtop canopy	Over operator station (attached to ROPS).	_____
10.31	Work lights LED	Two (2) Front and two (2) rear work lights.	_____
10.32	Seat	Adjustable seat (swivel), with air suspension.	_____

10.33	Fire extinguisher	2.5 lbs. High volume ABC type, State location.	_____
10.34	Safety lighting	Make and model Hella MLB 100 (12-24 VDC) P/N H27996001. Nonmagnetic (LED Micro Light Bar) wired directly to the ignition, mounted slightly behind top to centered on top of ROPS.	_____
10.35	Safety flashers, turn signals and brake lights	Safety flasher, turn signals and brake lights required.	_____
10.36	Slow moving sign	Slow-moving vehicle warning triangle.	_____
10.37	Back-up alarm	State dB.	_____
10.38	Horn	Located on steering wheel or dash panel.	_____

DIMENSIONS

10.39	Length	State overall length with 3 point hitch.	_____
10.40	Width	State overall width in inches.	_____
10.41	Wheelbase	State wheelbase in inches.	_____
10.42	Height	State height to top of canopy in inches.	_____
10.43	Weight	State total operating weight.	_____
10.44	Radius	State turning radius.	_____

TOOL BOX

10.45	Waterproof tool box	Made from metal for stowage of personal belongings. State location.	_____
-------	---------------------	--	-------

ELECTRICAL & REMOTE VALVES

10.46	Light socket	7 pin connector implement light socket with capability to function brake lights of implements.	_____
10.47	Remote control valves	Two (2) pairs each mid and rear.	_____

FRONT WEIGHT KIT (OPTION)

Note: Options to be priced only as indicated on Form B: Prices Item 1b.

Option 1: Five (5) units to have the following weight kit.

10.48	Front Detachable weights	Front bracket assembly with retaining pin, quick attach pin. Seven (7) approx. 55 lbs/each suitcase style weights. Total weight approx. 385 lbs.	_____
-------	--------------------------	--	-------

TIRES

Note: Three (3) Units to have Turf R3 tires to be priced only as indicated on Form B: Prices Item 1.

- | | | | |
|-------|--------------------|--|-------|
| 10.49 | Tire size, turf | Turf tires Tread-R3, state tire size, make/model, front and rear. | _____ |
| 10.50 | Spare tires (turf) | One (1) front. | _____ |

Note: Three (3) Units to have Industrial Tractor R4 tires to be priced only as indicated on Form B: Prices Item 1a.

- | | | | |
|-------|--|--|-------|
| 10.51 | One (1) set of industrial tractor R4 tires | Industrial Tractor Tread-R4 tires, state tire size, make/model, front and rear. | _____ |
| 10.52 | Spare tires (Industrial Tractor R4) | One (1) front and one (1) rear. | _____ |

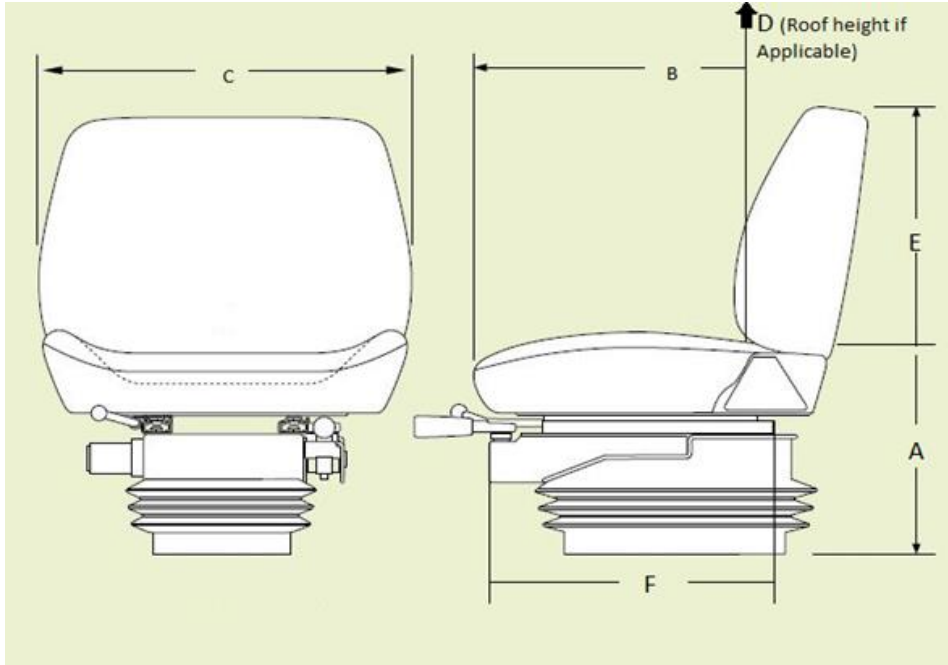
11.0 OPERATOR STATION ERGONOMICS

Entry/ Exit

- | | | | |
|------|------------------------------|---|-------|
| 11.1 | First step entry height | State , height of first step in inches. | _____ |
| 11.2 | First handhold entry height | State , first handhold entry height in inches. | _____ |
| 11.3 | Access to equipment | State , door opening height in inches. | _____ |
| 11.4 | Access to equipment | State , door opening width in inches. | _____ |
| 11.5 | Designed to prevent slipping | Anti-slip steps/handholds (Y or N)? | _____ |

Seat (use below diagram to answer questions)

11.6



- | | | | |
|-------|---|---|-------|
| 11.7 | Sitting height range from floor (where feet rest) (A) | State , seat height range in inches. | _____ |
| 11.8 | Seat length/depth (B) | State , seat length/depth in inches. | _____ |
| 11.9 | Seat width (C) | State , seat width in inches. | _____ |
| 11.10 | Cab height from seat to roof (if applicable) (D) | State , cab height range in inches. | _____ |
| 11.11 | Back rest height (E) | State , back rest height in inches. | _____ |
| 11.12 | Seat travel range (F) | State , seat travel in inches. | _____ |
| 11.13 | Lumbar support | Is lumbar support provided (Y or N)? | _____ |
| 11.14 | Head rest | Is head rest provided (Y or N)? | _____ |
| 11.15 | Seat is made of breathable material | State , type of seat material. | _____ |

Operation

- | | | | |
|-------|--|--|-------|
| 11.16 | Reaching distance to usual work | State , reaching distance in inches. | _____ |
| 11.17 | Maximum reaching distance | State , maximum reach distance in inches. | _____ |
| 11.18 | Adjustable pedals (accelerator/brake/clutch) | Are pedals adjustable (Y or N)? | _____ |
| 11.19 | Adjustable steering wheel | Is steering wheel adjustable (Y or N)? | _____ |
| 11.20 | Adjustable shoulder belt | Is belt adjustable and anchored (Y or N)? | _____ |

Cargo Area

- | | | | |
|-------|-------------------------------------|--|-------|
| 11.21 | Lid opens to provide adequate space | Lid opens to provide adequate space. | _____ |
| 11.22 | Loading height | State , trunk height in inches. | _____ |

Environment

- | | | | |
|-------|--|---|-------|
| 11.23 | Operator compartment is insulated from equipment noise (while operating) | State , dBA inside cab while operating. | _____ |
| 11.24 | Operator insulated from equipment vibration | Is operator insulated from vibration (Y or N)? | _____ |
| 11.25 | Heating/cooling systems | State , cab temperature range. | _____ |
| 11.26 | Cab lighting | State , lumens inside cab. | _____ |

12.0 **WARRANTY**

- | | | | |
|------|--|---|-------|
| 12.1 | Basic coverage | (Complete Machine) Warranty 2 years, 2000 hours. | _____ |
| 12.2 | Powertrain | (Engine, Transmission) Warranty 2 years 2000 hours. | _____ |
| 12.3 | Hydraulics warranty | (Hydraulics) Warranty 2 years, 2000 hours. | _____ |
| 12.4 | Batteries warranty | (Batteries) Warranty 1 year. | _____ |
| 12.5 | Tires warranty | (Tires) Warranty 1 year. | _____ |
| 12.6 | Electrical warranty | (Electrical) Warranty 2 years, 2000 hours. | _____ |
| 12.7 | All warranty information shall be detailed and include all exclusions. The successful bidder shall provide all published warranty information upon delivery of the equipment. Bidder shall state all warranty information. | | _____ |

13.0 **DELIVERY**

- | | | | |
|------|--|--|-------|
| 13.1 | Delivery Point: The complete unit shall be serviced, ready for operation and delivered F.O.B. with the freight prepaid, including invoice and N.I.V.S. (if applicable) to the WFMA 185 Tecumseh Street, Winnipeg MB. The successful bidder shall be notified by the Contractor Administrator the delivery address prior to issuance of the purchase order. | | _____ |
| 13.2 | Delivery Time: To be delivered within the approximate time frame March 1 to 15, 2018 . Equipment shall be delivered between 8:00 am and 2:00 pm on Business Days. | | _____ |
| 13.3 | Delivery Contact: The Contractor shall contact the Contract Administrator prior to delivery of the equipment. | | _____ |
| 13.4 | P.D.I: A pre-delivery inspection shall be performed by the Contractor on the equipment. Proof upon inspection including completed check list. | | _____ |

14.0 **MANUALS**

14.1 Manuals supplied under this contract. The manuals shall cover the complete equipment including all components thereof, CD or USD flash drive is preferred where available. _____

14.2 The following manuals shall be supplied with the units when delivered:

a) Operator's manual – Three (3) per unit (one operator manual shall be sent to the Equipment Operator Training Branch. _____

b) Parts and service manuals – one (1) complete sets including preventative maintenance schedules. CDs or USB flash drive are preferred. _____

15.0 **PARTS/LABOUR PRICING**

15.1 Bidder to provide City of Winnipeg Parts Discount % Pricing from retail parts pricing. **State percentage discount-** %_____

15.2 Bidder to provide City of Winnipeg Labor Discount % Pricing from Retail shop labor rate. **State percentage discount-** %_____

16.0 **FIRST SERVICE PREVENTATIVE MAINTENANCE KIT**

16.1 In order to assure minimum downtime of the equipment in future service, the Contractor shall provide one (1) complete replacement set of new OEM filters for each unit purchased. The set of required filters shall include (if applicable to the equipment type) air, fuel, oil, cab and hydraulic, or otherwise all known necessary common replacement filters required for the first preventative maintenance servicing. _____

16.2 The Contractor shall provide a list of factory recommended lubricants to be used with the equipment, as well as a complete cross reference guide for all warranty approved lubricants and filters that can be used during preventative maintenance servicing. _____

FORM N: DETAILED SPECIFICATIONS 17058
AG TRACTOR (45HP PTO) OPEN STATION

1.0 DESCRIPTION OF EQUIPMENT

- 1.1 These specifications describe an **Ag Tractor** and other equipment and features as specified herein.
- 1.2 The **Ag Tractor** shall be a new 2018 model year or newer.
- 1.3 The **Ag Tractor** and all other items/components shall be the manufacturer's latest model. The equipment shall be furnished complete and ready for operation. Any parts or accessories not specifically mentioned, but which are required to complete and place the equipment and associated attachments in successful operation shall be furnished as though specifically mentioned in these specifications. The equipment and associated attachments, and all parts thereof, shall conform in strength and quality of material and workmanship, to the best standards and engineering practice of the industry.
- 1.4 It will be the responsibility of the Bidder to inform the City of any errors or omissions in these specifications, for under this Contract the Contractor shall be held responsible for the satisfactory operational function of the equipment.

2.0 OTHER SPECIFICATIONS AND STANDARDS

- 2.1 All applicable SAE standards form an integral part of these specifications and shall have precedence in any conflict concerning minimum acceptable standards.

- 2.2 The **Ag Tractor** shall comply with the applicable regulations:

National Safety Mark, NSM = <http://www.tc.gc.ca/eng/acts-regulations/acts-road.htm>

Manitoba Safety and Health Act, Parts 12, 22 =
<http://web2.gov.mb.ca/laws/statutes/ccsm/w210e.php> and <http://www.gov.mb.ca/labour/safety/>

Canadian Standards Association, CSA = <http://www.csa.ca/about/Default.asp?language=english>

Under Writers of Canada, U/L = <http://www.ulc.ca/>

Society of Automotive Engineers, SAE = <http://www.sae.org/>

City of Winnipeg Lighting Visibility
Standard=<http://winnipeg.ca/matmgt/pdfs/PublicWorksEquipLightingVisibility.pdf>.

- 2.3 It will be the responsibility of the Bidder to inform the City of any deficiencies in these specifications, for under this Contract the Contractor shall be held responsible for the design, performance, reliability and satisfactory operational function of the units.

3.0 SERVICE FACILITY

- 3.1 For the purpose of warranty repairs, the Bidder shall have an authorized service facility located within 10 km of the boundaries of the City of Winnipeg. The facility, or a portion thereof, shall be dedicated to the service and maintenance of the type equipment being offered. Further to B9.1, Bidders shall provide a description of the service facility including, but not limited to, number of qualified service staff, years of service experience, and general service capabilities within three (3) Business Days upon request of the Contract Administrator.

4.0 REFERENCES

- 4.1 Provide five (5) references where this equipment is used in a working environment where climatic conditions are similar to the City of Winnipeg.

5.0 MAKE & MODEL

- 5.1 Eligible models are: **Kubota L5460, John Deere 4066, Case Farmall 55C, New Holland Boomer 55 or EQUIVALENT.**

- 5.2 **State** make, model and year of the equipment bid-_____

6.0 INSTRUCTIONS FOR COMPLETION OF SPECIFICATIONS

- 6.1 Each bid will be evaluated based on adherence to all terms, conditions and requirements outlined in the Bid Opportunity package.

- 6.2 All items in these specifications must be answered indicating compliance or non-compliance. **BIDDERS SHALL STATE "YES" FOR COMPLIANCE OR STATE DEVIATION**, or give reply where requested to do so. Deviations shall be clearly stated and fully detailed. Alternatives will be considered subject to evaluation.

- 6.3 **EACH BIDDER IS REQUIRED TO FILL IN EVERY BLANK. FAILURE TO DO SO MAY BE USED AS A BASIS FOR REJECTION OF BID**

7.0 PERFORMANCE RELIABILITY

- 7.1 The responsibility for the design of the **Ag Tractor**, its performance and reliability shall rest upon the Contractor.

- 7.2 The term "repeated failures" as used herein is defined to mean that the same component, subassembly, or assembly develops repeated defects, breakdowns and/or malfunctions rendering the vehicle inoperative, or requiring repeated shop correction, service and/or replacement during the warranty period applicable for said component, subassembly, of assembly. Minor items or ordinary service adjustments are not included, or considered under the scope of "repeated failures", as well as other factors, such as operational damage due to accidents, misuse or lack of proper maintenance, service and lubrication attention by not following the manufacturer's preventative maintenance schedule.

- 7.3 Where the **Ag Tractor** develops "repeated failures" in service, the Contractor shall make any necessary engineering changes, repairs, alterations or modifications in order to guarantee reliability of performance.

- 7.4 The equipment shall be capable of consistent top performance in City of Winnipeg Environment. Note: The City of Winnipeg has four seasons with ambient temperatures ranging from approximately 90°F (32°C) to -40°F (-40°C)

8.0 FUEL

- 8.1 Where applicable, all equipment must be fully fuelled upon delivery (no exceptions).

9.0 QUALIFICATIONS OF MANUFACTURER & CONTRACTOR

- 9.1 The manufacturer of the **Ag Tractor** shall have five (5) years continuous experience manufacturing the equipment.

- 9.2 The manufacturer shall have in effect a documented quality control program ensuring that the quality of materials and workmanship, including welding, conforms to the best standards and engineering practice of the industry.
- 9.3 The Contractor shall have five (5) years continuous experience servicing, repairing and maintaining **Ag Tractor and associated attachments** of the type being offered.

10.0 SPECIFICATIONS:

ENGINE

- | | | | |
|-------|------------------------------|--|-------|
| 10.1 | Engine type | Diesel, state manufacturer. | _____ |
| 10.2 | Tier | Tier IV final, state . | _____ |
| 10.3 | Engine HP (Gross) | Approx. 55 HP. | _____ |
| 10.4 | PTO HP | Approx. 45 HP. | _____ |
| 10.5 | Anti-stall feature on engine | Protect engine and PTO from stalling when under heavy load. | _____ |
| 10.6 | Auto throttle | For synchronizing tractor speed and engine rpm. | _____ |
| 10.7 | Cruise control | For constant working speed. | _____ |
| 10.8 | Rated speed, RPM | State rated RPM Speed. | _____ |
| 10.9 | Air cleaner | Dry type air cleaner. | _____ |
| 10.10 | Fuel tank capacity | State capacity.
The City of Winnipeg requires units to carry enough fuel to run 10 shifts without refueling. Normal usage cutting grass and travel between work sites. | _____ |
| 10.11 | Throttle | Hand or foot throttle control, state . | _____ |
| 10.12 | Engine block heater | Cold weather operation. | _____ |

ELECTRICAL

- | | | | |
|-------|----------------------------------|--|-------|
| 10.13 | Alternator | Approx. 45 Amps, State . | _____ |
| 10.14 | Lockable power disconnect switch | Connected to battery. Prevents low-draw accessories from draining battery in long-term storage. Switch to be lockable with a pad lock. | _____ |

DRIVE TRAIN

- | | | | |
|-------|--------------|---|-------|
| 10.15 | Transmission | Hydrostatic transmission 4 wheel drive, (3 speed with hi-low range) with adjustable hydrostatic response. | _____ |
|-------|--------------|---|-------|

Template Version: F020170317 - Fleet

10.16	No. of speeds	State , No. of speeds for forward and reverse.	_____
10.17	Brakes	Wet, multi disc.	_____
10.18	Steering	Hydrostatic power steering.	_____
10.19	Drive	4x4 (4 wheel drive).	_____

PTO

10.20	Type	Full independent of manual.	_____
10.21	Rear (rpm)	Approx. 540 rpm.	_____

HYDRAULICS

10.22	Pump gpm	State gpm.	_____
10.23	Total flow	State total gpm flow.	_____
10.24	Mid mount hydraulic couplers	Remote hydraulics with ability to control two separate functions, quick release connectors.	_____
10.25	Rear mount hydraulic couplers	Remote hydraulics with ability to control two (2) separate functions, quick release connectors.	_____
10.26	Hitch lift	State hitch lift capacity.	_____
10.27	Hitch category	Adjustable category I-II (3) point hitch. With draw bar. With telescopic lower link ends (adjustable length).	_____
10.28	Adjustable stabilizer linkage	To secure rear mounted attachments (check chains not acceptable).	_____
10.29	Safety "U" Brackets/eyelets or equivalent	For attachment of safety chains from implements.	_____

OPERATOR STATION

10.30	Instrumentation	Alternates, warning light- engine oil pressure light. Gauges – water, fuel, tachometer w/ hour meter.	_____
10.31	Hardtop canopy	Over operator station (attached to ROPS).	_____
10.32	LED Work lights	Two (2) front and two (2) rear LED work lights.	_____
10.33	Seat	Adjustable seat (swivel), with air suspension.	_____

10.34	Fire extinguisher	2.5 lbs. High volume ABC type, State location.	_____
10.35	Safety lighting	Make and model Hella MLB 100 (12-24 VDC) P/N H27996001. Nonmagnetic (LED Micro Light Bar) wired directly to the ignition, mounted slightly behind top to centered on top of ROPS.	_____
10.36	Safety flashers, turn signals and brake lights	Safety flasher, turn signals and brake lights required.	_____
10.37	Slow moving sign	Slow-moving vehicle warning triangle.	_____
10.38	Back-up alarm	State dB.	_____
10.39	Horn	Located on steering wheel or dash panel.	_____

ELECTRICAL & REMOTE VALVES

10.40	Light socket	7 pin connector implement light socket with capability to function brake lights of implements.	_____
10.41	Remote control valves	Two (2) pairs each mid and two (2) pairs each rear.	_____

TIRES

10.42	One (1) set of turf R3 tires	Turf R3 tires, state tire size, make/model, front and rear.	_____
10.43	Spare tires (turf R3)	One (1) front	_____

DIMENSIONS

10.44	Length	State overall length with 3 point hitch	_____
10.45	Width	State overall width in inches.	_____
10.46	Wheelbase	State wheelbase in inches.	_____
10.47	Height	State height to top of canopy in inches.	_____
10.48	Weight	State total operating weight.	_____
10.49	Radius	State turning radius.	_____

10.50 **TOOL BOX**

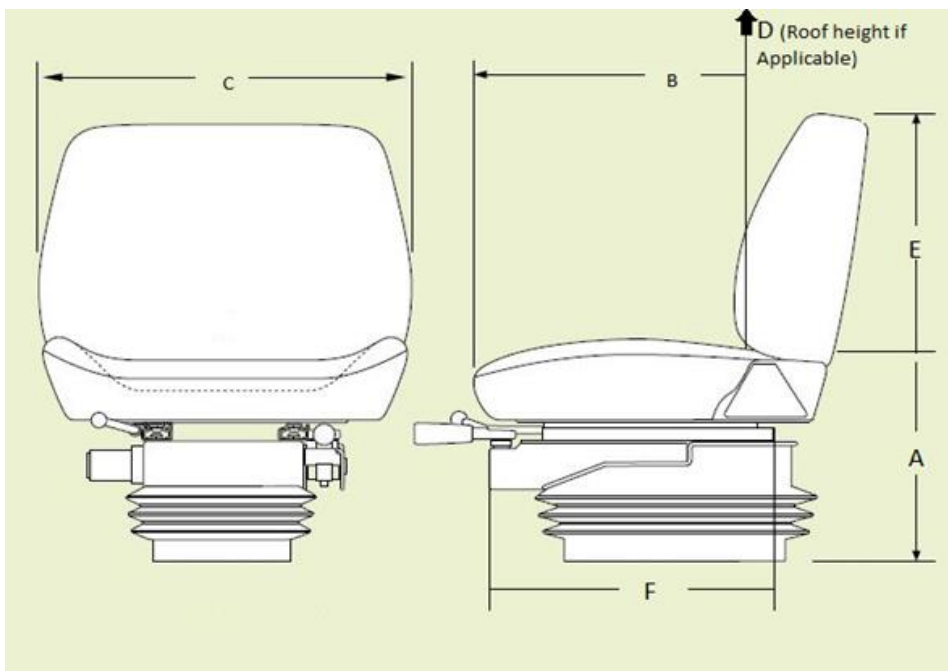
	Waterproof tool box	Made from metal for stowage of personal belongings. State location.	_____
--	---------------------	--	-------

11.0 OPERATOR STATION ERGONOMICS

Entry/ Exit

- | | | | |
|------|------------------------------|---|-------|
| 11.1 | First step entry height | State , height of first step in inches. | _____ |
| 11.2 | First handhold entry height | State , first handhold entry height in inches. | _____ |
| 11.3 | Access to equipment | State , door opening height in inches. | _____ |
| 11.4 | Access to equipment | State , door opening width in inches. | _____ |
| 11.5 | Designed to prevent slipping | Anti-slip steps/handholds (Y or N) ? | _____ |

Seat (use below diagram to answer questions)



- | | | | |
|-------|---|--|-------|
| 11.6 | Sitting height range from floor (where feet rest) (A) | State , seat height range in inches. | _____ |
| 11.7 | Seat length/depth (B) | State , seat length/depth in inches. | _____ |
| 11.8 | Seat width (C) | State , seat width in inches. | _____ |
| 11.9 | Cab height from seat to roof (if applicable) (D) | State , cab height range in inches. | _____ |
| 11.10 | Back rest height (E) | State , back rest height in inches. | _____ |
| 11.11 | Seat travel range (F) | State , seat travel in inches. | _____ |
| 11.12 | Lumbar support | Is lumbar support provided (Y or N) ? | _____ |
| 11.13 | Head rest | Is head rest provided (Y or N) ? | _____ |
| 11.14 | Seat is made of breathable material | State , type of seat material. | _____ |

Operation

- | | | | |
|-------|---|--|-------|
| 11.15 | Reaching distance to usual work | State , reaching distance in inches. | _____ |
| 11.16 | Maximum reaching distance | State , maximum reach distance in inches. | _____ |
| 11.17 | Adjustable pedals
(accelerator/brake/clutch) | Are pedals adjustable (Y or N)? | _____ |
| 11.18 | Adjustable steering wheel | Is steering wheel adjustable (Y or N)? | _____ |
| 11.19 | Adjustable shoulder belt | Is belt adjustable and anchored (Y or N)? | _____ |

Cargo Area

- | | | | |
|-------|-------------------------------------|--|-------|
| 11.20 | Lid opens to provide adequate space | Lid opens to provide adequate space. | _____ |
| 11.21 | Loading height | State , trunk height in inches. | _____ |

Environment

- | | | | |
|-------|--|---|-------|
| 11.22 | Operator compartment is insulated from equipment noise (while operating) | State , dBA inside cab while operating. | _____ |
| 11.23 | Operator insulated from equipment vibration | Is operator insulated from vibration (Y or N)? | _____ |
| 11.24 | Heating/cooling systems | State , cab temperature range. | _____ |
| 11.25 | Cab lighting | State , lumens inside cab. | _____ |

12.0 **WARRANTY**

- | | | | |
|------|--|---|-------|
| 12.1 | Basic coverage | (Complete Machine) Warranty 2 years, 2000 hours. | _____ |
| 12.2 | Powertrain | (Engine, Transmission) Warranty 2 years 2000 hours. | _____ |
| 12.3 | Hydraulics warranty | (Hydraulics) Warranty 2 years, 2000 hours. | _____ |
| 12.4 | Batteries warranty | (Batteries) Warranty 1 year. | _____ |
| 12.5 | Tires warranty | (Tires) Warranty 1 year. | _____ |
| 12.6 | Electrical warranty | (Electrical) Warranty 2 years, 2000 hours. | _____ |
| 12.7 | All warranty information shall be detailed and include all exclusions. The successful bidder shall provide all published warranty information upon delivery of the equipment. Bidder shall state all warranty information. | | _____ |

13.0 **DELIVERY**

13.1 Delivery Point: The complete unit shall be serviced, ready for operation and delivered F.O.B. with the freight prepaid, including invoice and N.I.V.S. (if applicable) to the WFMA 185 Tecumseh Street, Winnipeg MB. The successful bidder shall be notified by the Contractor Administrator the delivery address prior to issuance of the purchase order. _____

13.2 Delivery Time: To be delivered within the approximate time frame **March 1 to 15, 2018**. Equipment shall be delivered between 8:00 am and 2:00 pm on Business Days. _____

13.3 Delivery Contact: The Contractor shall contact the Contract Administrator prior to delivery of the equipment. _____

13.4 P.D.I: A pre-delivery inspection shall be performed by the Contractor on the equipment. Proof upon inspection including completed check list. _____

14.0 **MANUALS**

14.1 Manuals supplied under this contract. The manuals shall cover the complete equipment including all components thereof, CD or USD flash drive is preferred where available. _____

14.2 The following manuals shall be supplied with the units when delivered:
a) Operator's manual – Three (3) per unit (one operator manual shall be sent to the Equipment Operator Training Branch. _____

b) Parts and service manuals – one (1) complete sets including preventative maintenance schedules. CDs or USB flash drive are preferred. _____

15.0 **PARTS/LABOUR PRICING**

15.1 Bidder to provide City of Winnipeg Parts Discount % Pricing from retail parts pricing. **State percentage discount-** % _____

15.2 Bidder to provide City of Winnipeg Labor Discount % Pricing from Retail shop labor rate. **State percentage discount-** % _____

16.0 **FIRST SERVICE PREVENTATIVE MAINTENANCE KIT**

16.1 In order to assure minimum downtime of the equipment in future service, the Contractor shall provide one (1) complete replacement set of new OEM filters for each unit purchased. The set of required filters shall include (if applicable to the equipment type) air, fuel, oil, cab and hydraulic, or otherwise all known necessary common replacement filters required for the first preventative maintenance servicing. _____

16.2 The Contractor shall provide a list of factory recommended lubricants to be used with the equipment, as well as a complete cross reference guide for all warranty approved lubricants and filters that can be used during preventative maintenance servicing. _____

FORM N: DETAILED SPECIFICATIONS 17059
AG TRACTOR (60HP PTO) OPEN STATION

1.0 DESCRIPTION OF EQUIPMENT

- 1.1 These specifications describe an **Ag Tractor** and other equipment and features as specified herein.
- 1.2 The **Ag Tractor** shall be a new 2018 model year or newer.
- 1.3 The **Ag Tractor** and all other items/components shall be the manufacturer's latest model. The equipment shall be furnished complete and ready for operation. Any parts or accessories not specifically mentioned, but which are required to complete and place the equipment and associated attachments in successful operation shall be furnished as though specifically mentioned in these specifications. The equipment and associated attachments, and all parts thereof, shall conform in strength and quality of material and workmanship, to the best standards and engineering practice of the industry.
- 1.4 It will be the responsibility of the Bidder to inform the City of any errors or omissions in these specifications, for under this Contract the Contractor shall be held responsible for the satisfactory operational function of the equipment.

2.0 OTHER SPECIFICATIONS AND STANDARDS

- 2.1 All applicable SAE standards form an integral part of these specifications and shall have precedence in any conflict concerning minimum acceptable standards.

- 2.2 The **Ag Tractor** shall comply with the applicable regulations:

National Safety Mark, NSM = <http://www.tc.gc.ca/eng/acts-regulations/acts-road.htm>

Manitoba Safety and Health Act, Parts 12, 22 =
<http://web2.gov.mb.ca/laws/statutes/ccsm/w210e.php> and <http://www.gov.mb.ca/labour/safety/>

Canadian Standards Association, CSA = <http://www.csa.ca/about/Default.asp?language=english>

Under Writers of Canada, U/L = <http://www.ulc.ca/>

Society of Automotive Engineers, SAE = <http://www.sae.org/>

City of Winnipeg Lighting Visibility
Standard=<http://winnipeg.ca/matmgt/pdfs/PublicWorksEquipLightingVisibility.pdf>.

- 2.3 It will be the responsibility of the Bidder to inform the City of any deficiencies in these specifications, for under this Contract the Contractor shall be held responsible for the design, performance, reliability and satisfactory operational function of the units.

3.0 SERVICE FACILITY

- 3.1 For the purpose of warranty repairs, the Bidder shall have an authorized service facility located within 10 km of the boundaries of the City of Winnipeg. The facility, or a portion thereof, shall be dedicated to the service and maintenance of the type equipment being offered. Further to B9.1, Bidders shall provide a description of the service facility including, but not limited to, number of qualified service staff, years of service experience, and general service capabilities within three (3) Business Days upon request of the Contract Administrator.

4.0 REFERENCES

4.1 Provide five (5) references where this equipment is used in a working environment where climatic conditions are similar to the City of Winnipeg.

5.0 MAKE & MODEL

5.1 Eligible models are: **Kubota M7060, John Deere 5075, Case Farmall 70A, New Holland T4.75 Powerstar or EQUIVALENT.**

5.2 **State** make, model and year of the equipment bid-_____

6.0 INSTRUCTIONS FOR COMPLETION OF SPECIFICATIONS

6.1 Each bid will be evaluated based on adherence to all terms, conditions and requirements outlined in the Bid Opportunity package.

6.2 All items in these specifications must be answered indicating compliance or non-compliance. **BIDDERS SHALL STATE "YES" FOR COMPLIANCE OR STATE DEVIATION**, or give reply where requested to do so. Deviations shall be clearly stated and fully detailed. Alternatives will be considered subject to evaluation.

6.3 **EACH BIDDER IS REQUIRED TO FILL IN EVERY BLANK. FAILURE TO DO SO MAY BE USED AS A BASIS FOR REJECTION OF BID**

7.0 PERFORMANCE RELIABILITY

7.1 The responsibility for the design of the **Ag Tractor**, its performance and reliability shall rest upon the Contractor.

7.2 The term "repeated failures" as used herein is defined to mean that the same component, subassembly, or assembly develops repeated defects, breakdowns and/or malfunctions rendering the vehicle inoperative, or requiring repeated shop correction, service and/or replacement during the warranty period applicable for said component, subassembly, of assembly. Minor items or ordinary service adjustments are not included, or considered under the scope of "repeated failures", as well as other factors, such as operational damage due to accidents, misuse or lack of proper maintenance, service and lubrication attention by not following the manufacturer's preventative maintenance schedule.

7.3 Where the **Ag Tractor** develops "repeated failures" in service, the Contractor shall make any necessary engineering changes, repairs, alterations or modifications in order to guarantee reliability of performance.

7.4 The equipment shall be capable of consistent top performance in City of Winnipeg Environment. Note: The City of Winnipeg has four seasons with ambient temperatures ranging from approximately 90°F (32°C) to -40°F (-40°C)

8.0 FUEL

8.1 Where applicable, all equipment must be fully fuelled upon delivery (no exceptions).

9.0 QUALIFICATIONS OF MANUFACTURER & CONTRACTOR

- 9.1 The manufacturer of the **Ag Tractor** shall have five (5) years continuous experience manufacturing the equipment.
- 9.2 The manufacturer shall have in effect a documented quality control program ensuring that the quality of materials and workmanship, including welding, conforms to the best standards and engineering practice of the industry.
- 9.3 The Contractor shall have five (5) years continuous experience servicing, repairing and maintaining **Ag Tractor and associated attachments** of the type being offered.

10.0 SPECIFICATIONS:

ENGINE

- | | | | |
|------|--------------------|--|-------|
| 10.1 | Engine type | Diesel, state manufacturer. | _____ |
| 10.2 | Tier | Tier IV final, state . | _____ |
| 10.3 | Engine HP (Gross) | Approx. 70 HP. | _____ |
| 10.4 | PTO HP | Approx. 60 HP. | _____ |
| 10.5 | Rated speed, RPM | State rated RPM Speed. | _____ |
| 10.6 | Air cleaner | Dry type air cleaner. | _____ |
| 10.7 | Fuel tank capacity | State capacity.
The City of Winnipeg requires units to carry enough fuel to run 10 shifts without refueling. Normal usage cutting grass and travel between work sites. | _____ |
| 10.8 | Throttle | Hand or foot throttle control, state . | _____ |

ELECTRICAL

- | | | | |
|-------|----------------------------------|--|-------|
| 10.9 | Alternator | Approx. 45 Amps, State . | _____ |
| 10.10 | Lockable power disconnect switch | Connected to battery. Prevents low-draw accessories from draining battery in long-term storage. Switch to be lockable with a pad lock. | _____ |

DRIVE TRAIN

- | | | | |
|-------|---------------|---|-------|
| 10.11 | Transmission | Power shuttle with 12 speeds, wet disc clutch. | _____ |
| 10.12 | No. of speeds | State , No. of speeds for forward and reverse. | _____ |
| 10.13 | Brakes | Wet, multi disc. | _____ |
| 10.14 | Steering | Hydrostatic power steering. | _____ |
| 10.15 | Drive | 4x4 (4 wheel drive). | _____ |

PTO

- | | | | |
|-------|------------|-----------------------------|-------|
| 10.16 | Type | Full independent of manual. | _____ |
| 10.17 | Rear (rpm) | Approx. 540 rpm. | _____ |

HYDRAULICS

- | | | | |
|-------|---|---|-------|
| 10.18 | Pump gpm | State gpm. | _____ |
| 10.19 | Total flow | State total gpm flow. | _____ |
| 10.20 | Mid mount hydraulic couplers | Remote hydraulics with ability to control two (2) separate functions, quick release connectors. | _____ |
| 10.21 | Rear mount hydraulic couplers | Remote hydraulics with ability to control three (3) separate functions, quick release connectors. | _____ |
| 10.22 | Hitch lift | State hitch lift capacity. | _____ |
| 10.23 | Hitch category | Adjustable category I-II (3) point hitch. With draw bar. With telescopic lower link ends (adjustable length). | _____ |
| 10.24 | Adjustable stabilizer linkage | To secure rear mounted attachments (check chains not acceptable). | _____ |
| 10.25 | Safety "U" Brackets/eyelets or equivalent | For attachment of safety chains from implements. | _____ |

OPERATOR STATION

- | | | | |
|-------|-------------------|---|-------|
| 10.26 | Instrumentation | Alternates, warning light- engine oil pressure light. Gauges – water, fuel, tachometer w/ hour meter. | _____ |
| 10.27 | Hardtop canopy | Over operator station (attached to ROPS). | _____ |
| 10.28 | LED Work lights | Two (2) front and two (2) rear LED work lights. | _____ |
| 10.29 | Seat | Adjustable seat (swivel), with air suspension. | _____ |
| 10.30 | Fire extinguisher | 2.5 lbs. High volume ABC type, State location. | _____ |
| 10.31 | Safety lighting | Make and model Hella MLB 100 (12-24 VDC) P/N H27996001. Nonmagnetic (LED Micro Light Bar) wired directly to the ignition, mounted slightly behind top to centered on top of ROPS. | _____ |

10.32	Safety flashers, turn signals and brake lights	Safety flasher, turn signals and brake lights required.	_____
10.33	Slow moving sign	Slow-moving vehicle warning triangle.	_____
10.34	Back-up alarm	State dB.	_____
10.35	Horn	Located on steering wheel or dash panel.	_____

ELECTRICAL & REMOTE VALVES

10.36	Light socket	7 pin connector implement light socket with capability to function brake lights of implements.	_____
10.37	Remote control valves	Two (2) pairs each mid and three (3) pairs each rear.	_____

TIRES

10.38	One (1) set of agricultural R1 tires	Agricultural R1 tires, state tire size, make/model, front and rear.	_____
10.39	Spare tires (Agricultural R1)	One (1) front.	_____

DIMENSIONS

10.40	Length	State overall length with 3 point hitch	_____
10.41	Width	State overall width in inches.	_____
10.42	Wheelbase	State wheelbase in inches.	_____
10.43	Height	State height to top of canopy in inches.	_____
10.44	Weight	State total operating weight.	_____
10.45	Radius	State turning radius.	_____

WEIGHT KITS

10.46	Front detachable weights	Front bracket assembly with retaining pin, quick attach pin. Seven (7) approx. 55 lbs/each suitcase style weights. Total weight approx. 385 lbs.	_____
10.47	Rear wheel weights	Rear removable weights, 4 in total approx. 180 lbs. each (2 per side). Total weight approx. 720 lbs.	_____

10.48 **TOOL BOX**

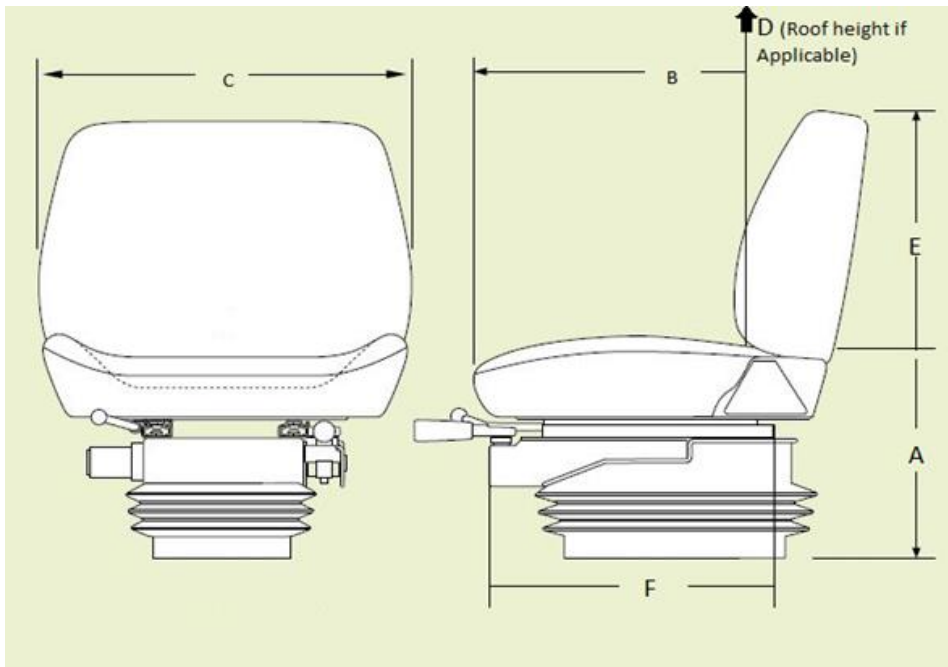
	Waterproof tool box	Made from metal for stowage of personal belongings. State location.	_____
--	---------------------	--	-------

11.0 OPERATOR STATION ERGONOMICS

Entry/ Exit

- | | | | |
|------|------------------------------|---|-------|
| 11.1 | First step entry height | State , height of first step in inches. | _____ |
| 11.2 | First handhold entry height | State , first handhold entry height in inches. | _____ |
| 11.3 | Access to equipment | State , door opening height in inches. | _____ |
| 11.4 | Access to equipment | State , door opening width in inches. | _____ |
| 11.5 | Designed to prevent slipping | Anti-slip steps/handholds (Y or N)? | _____ |

Seat (use below diagram to answer questions)



- | | | | |
|-------|---|---|-------|
| 11.6 | Sitting height range from floor (where feet rest) (A) | State , seat height range in inches. | _____ |
| 11.7 | Seat length/depth (B) | State , seat length/depth in inches. | _____ |
| 11.8 | Seat width (C) | State , seat width in inches. | _____ |
| 11.9 | Cab height from seat to roof (if applicable) (D) | State , cab height range in inches. | _____ |
| 11.10 | Back rest height (E) | State , back rest height in inches. | _____ |
| 11.11 | Seat travel range (F) | State , seat travel in inches. | _____ |
| 11.12 | Lumbar support | Is lumbar support provided (Y or N)? | _____ |
| 11.13 | Head rest | Is head rest provided (Y or N)? | _____ |
| 11.14 | Seat is made of breathable material | State , type of seat material. | _____ |

Operation

- | | | | |
|-------|---|--|-------|
| 11.15 | Reaching distance to usual work | State , reaching distance in inches. | _____ |
| 11.16 | Maximum reaching distance | State , maximum reach distance in inches. | _____ |
| 11.17 | Adjustable pedals
(accelerator/brake/clutch) | Are pedals adjustable (Y or N)? | _____ |
| 11.18 | Adjustable steering wheel | Is steering wheel adjustable (Y or N)? | _____ |
| 11.19 | Adjustable shoulder belt | Is belt adjustable and anchored (Y or N)? | _____ |

Cargo Area

- | | | | |
|-------|-------------------------------------|--|-------|
| 11.20 | Lid opens to provide adequate space | Lid opens to provide adequate space. | _____ |
| 11.21 | Loading height | State , trunk height in inches. | _____ |

Environment

- | | | | |
|-------|--|---|-------|
| 11.22 | Operator compartment is insulated from equipment noise (while operating) | State , dBA inside cab while operating. | _____ |
| 11.23 | Operator insulated from equipment vibration | Is operator insulated from vibration (Y or N)? | _____ |
| 11.24 | Heating/cooling systems | State , cab temperature range. | _____ |
| 11.25 | Cab lighting | State , lumens inside cab. | _____ |

12.0 **WARRANTY**

- | | | | |
|------|--|---|-------|
| 12.1 | Basic coverage | (Complete Machine) Warranty 2 years, 2000 hours. | _____ |
| 12.2 | Powertrain | (Engine, Transmission) Warranty 2 years 2000 hours. | _____ |
| 12.3 | Hydraulics warranty | (Hydraulics) Warranty 2 years, 2000 hours. | _____ |
| 12.4 | Batteries warranty | (Batteries) Warranty 1 year. | _____ |
| 12.5 | Tires warranty | (Tires) Warranty 1 year. | _____ |
| 12.6 | Electrical warranty | (Electrical) Warranty 2 years, 2000 hours. | _____ |
| 12.7 | All warranty information shall be detailed and include all exclusions. The successful bidder shall provide all published warranty information upon delivery of the equipment. Bidder shall state all warranty information. | | _____ |

13.0 **DELIVERY**

13.1 Delivery Point: The complete unit shall be serviced, ready for operation and delivered F.O.B. with the freight prepaid, including invoice and N.I.V.S. (if applicable) to the WFMA 185 Tecumseh Street, Winnipeg MB. The successful bidder shall be notified by the Contractor Administrator the delivery address prior to issuance of the purchase order. _____

13.2 Delivery Time: To be delivered within the approximate time frame **March 1 to 15, 2018**. Equipment shall be delivered between 8:00 am and 2:00 pm on Business Days. _____

13.3 Delivery Contact: The Contractor shall contact the Contract Administrator prior to delivery of the equipment. _____

13.4 P.D.I: A pre-delivery inspection shall be performed by the Contractor on the equipment. Proof upon inspection including completed check list. _____

14.0 **MANUALS**

14.1 Manuals supplied under this contract. The manuals shall cover the complete equipment including all components thereof, CD or USD flash drive is preferred where available. _____

14.2 The following manuals shall be supplied with the units when delivered:

a) Operator's manual – Three (3) per unit (one operator manual shall be sent to the Equipment Operator Training Branch _____

b) Parts and service manuals – one (1) complete sets including preventative maintenance schedules. CDs or USB flash drive are preferred. _____

15.0 **PARTS/LABOUR PRICING**

15.1 Bidder to provide City of Winnipeg Parts Discount % Pricing from retail parts pricing. **State percentage discount-** % _____

15.2 Bidder to provide City of Winnipeg Labor Discount % Pricing from Retail shop labor rate. **State percentage discount-** % _____

16.0 **FIRST SERVICE PREVENTATIVE MAINTENANCE KIT**

16.1 In order to assure minimum downtime of the equipment in future service, the Contractor shall provide one (1) complete replacement set of new OEM filters for each unit purchased. The set of required filters shall include (if applicable to the equipment type) air, fuel, oil, cab and hydraulic, or otherwise all known necessary common replacement filters required for the first preventative maintenance servicing. _____

16.2 The Contractor shall provide a list of factory recommended lubricants to be used with the equipment, as well as a complete cross reference guide for all warranty approved lubricants and filters that can be used during preventative maintenance servicing. _____

FORM N (R1): DETAILED SPECIFICATIONS 17060
AG TRACTOR (60HP PTO) WITH CAB

1.0 DESCRIPTION OF EQUIPMENT

- 1.1 These specifications describe an **Ag Tractor** and other equipment and features as specified herein.
- 1.2 The **Ag Tractor** shall be a new 2018 model year or newer.
- 1.3 The **Ag Tractor** and all other items/components shall be the manufacturer's latest model. The equipment shall be furnished complete and ready for operation. Any parts or accessories not specifically mentioned, but which are required to complete and place the equipment and associated attachments in successful operation shall be furnished as though specifically mentioned in these specifications. The equipment and associated attachments, and all parts thereof, shall conform in strength and quality of material and workmanship, to the best standards and engineering practice of the industry.
- 1.4 It will be the responsibility of the Bidder to inform the City of any errors or omissions in these specifications, for under this Contract the Contractor shall be held responsible for the satisfactory operational function of the equipment.

2.0 OTHER SPECIFICATIONS AND STANDARDS

- 2.1 All applicable SAE standards form an integral part of these specifications and shall have precedence in any conflict concerning minimum acceptable standards.

- 2.2 The **Ag Tractor** shall comply with the applicable regulations:

National Safety Mark, NSM = <http://www.tc.gc.ca/eng/acts-regulations/acts-road.htm>

Manitoba Safety and Health Act, Parts 12, 22 =
<http://web2.gov.mb.ca/laws/statutes/ccsm/w210e.php> and <http://www.gov.mb.ca/labour/safety/>

Canadian Standards Association, CSA = <http://www.csa.ca/about/Default.asp?language=english>

Under Writers of Canada, U/L = <http://www.ulc.ca/>

Society of Automotive Engineers, SAE = <http://www.sae.org/>

City of Winnipeg Lighting Visibility
Standard=<http://winnipeg.ca/matmgt/pdfs/PublicWorksEquipLightingVisibility.pdf>.

- 2.3 It will be the responsibility of the Bidder to inform the City of any deficiencies in these specifications, for under this Contract the Contractor shall be held responsible for the design, performance, reliability and satisfactory operational function of the units.

3.0 SERVICE FACILITY

- 3.1 For the purpose of warranty repairs, the Bidder shall have an authorized service facility located within 10 km of the boundaries of the City of Winnipeg. The facility, or a portion thereof, shall be dedicated to the service and maintenance of the type equipment being offered. Further to B9.1, Bidders shall provide a description of the service facility including, but not limited to, number of qualified service staff, years of service experience, and general service capabilities within three (3) Business Days upon request of the Contract Administrator.

4.0 REFERENCES

4.1 Provide five (5) references where this equipment is used in a working environment where climatic conditions are similar to the City of Winnipeg.

5.0 MAKE & MODEL

5.1 Eligible models are: **Kubota M7060, John Deere 5075, Case Farmall 70A, New Holland T4.75 Powerstar or EQUIVALENT.**

5.2 **State** make, model and year of the equipment bid-_____

6.0 INSTRUCTIONS FOR COMPLETION OF SPECIFICATIONS

6.1 Each bid will be evaluated based on adherence to all terms, conditions and requirements outlined in the Bid Opportunity package.

6.2 All items in these specifications must be answered indicating compliance or non-compliance. **BIDDERS SHALL STATE "YES" FOR COMPLIANCE OR STATE DEVIATION**, or give reply where requested to do so. Deviations shall be clearly stated and fully detailed. Alternatives will be considered subject to evaluation.

6.3 **EACH BIDDER IS REQUIRED TO FILL IN EVERY BLANK. FAILURE TO DO SO MAY BE USED AS A BASIS FOR REJECTION OF BID**

7.0 PERFORMANCE RELIABILITY

7.1 The responsibility for the design of the **Ag Tractor**, its performance and reliability shall rest upon the Contractor.

7.2 The term "repeated failures" as used herein is defined to mean that the same component, subassembly, or assembly develops repeated defects, breakdowns and/or malfunctions rendering the vehicle inoperative, or requiring repeated shop correction, service and/or replacement during the warranty period applicable for said component, subassembly, of assembly. Minor items or ordinary service adjustments are not included, or considered under the scope of "repeated failures", as well as other factors, such as operational damage due to accidents, misuse or lack of proper maintenance, service and lubrication attention by not following the manufacturer's preventative maintenance schedule.

7.3 Where the **Ag Tractor** develops "repeated failures" in service, the Contractor shall make any necessary engineering changes, repairs, alterations or modifications in order to guarantee reliability of performance.

7.4 The equipment shall be capable of consistent top performance in City of Winnipeg Environment. Note: The City of Winnipeg has four seasons with ambient temperatures ranging from approximately 90°F (32°C) to -40°F (-40°C)

8.0 FUEL

8.1 Where applicable, all equipment must be fully fuelled upon delivery (no exceptions).

9.0 QUALIFICATIONS OF MANUFACTURER & CONTRACTOR

- 9.1 The manufacturer of the **Ag Tractor** shall have five (5) years continuous experience manufacturing the equipment.
- 9.2 The manufacturer shall have in effect a documented quality control program ensuring that the quality of materials and workmanship, including welding, conforms to the best standards and engineering practice of the industry.
- 9.3 The Contractor shall have five (5) years continuous experience servicing, repairing and maintaining **Ag Tractor and associated attachments** of the type being offered.

10.0 SPECIFICATIONS:

ENGINE

- | | | | |
|------|---------------------|--|-------|
| 10.1 | Engine type | Diesel, state manufacturer. | _____ |
| 10.2 | Tier | Tier IV interim or final, state . | _____ |
| 10.3 | Engine HP (Gross) | Approx. 70 HP. | _____ |
| 10.4 | PTO HP | Approx. 60 HP. | _____ |
| 10.5 | Rated speed, RPM | State rated RPM Speed. | _____ |
| 10.6 | Air cleaner | Dry type air cleaner. | _____ |
| 10.7 | Fuel tank capacity | State capacity.
The City of Winnipeg requires units to carry enough fuel to run 10 shifts without refueling. Normal usage cutting grass and travel between work sites. | _____ |
| 10.8 | Throttle | Hand or foot throttle control, state . | _____ |
| 10.9 | Engine block heater | Cold weather operation. | _____ |

ELECTRICAL

- | | | | |
|-------|----------------------------------|--|-------|
| 10.10 | Alternator | Approx. 100 Amps, State . | _____ |
| 10.11 | Lockable power disconnect switch | Connected to battery. Prevents low-draw accessories from draining battery in long-term storage. Switch to be lockable with a pad lock. | _____ |

DRIVE TRAIN

- | | | | |
|-------|---------------|---|-------|
| 10.12 | Transmission | Power shuttle with 12 speeds, wet disc clutch. | _____ |
| 10.13 | No. of speeds | State , No. of speeds for forward and reverse. | _____ |
| 10.14 | Brakes | Wet, multi disc. | _____ |

- 10.15 Steering Hydrostatic power steering. _____
- 10.16 Drive 4x4 (4 wheel drive). _____

PTO

- 10.17 Type Full independent of manual. _____
- 10.18 Rear 540 rpm Approx. 540/540E (with economy operation that lowers engine RPM to save fuel). _____

HYDRAULICS

- 10.19 Pump gpm **State** gpm. _____
- 10.20 Total flow **State** total gpm flow. _____
- 10.21 Mid mount hydraulic couplers Remote hydraulics with ability to control two (2) separate functions, quick release connectors. _____
- 10.22 Rear mount hydraulic couplers Remote hydraulics with ability to control Three (3) separate functions, quick release connectors. _____
- 10.23 Hitch lift **State** hitch lift capacity. _____
- 10.24 Hitch category Adjustable category I and II (3) point hitch. With draw bar. With telescopic lower link ends (adjustable lengths). _____
- 10.25 Adjustable stabilizer linkage To secure rear mounted attachments (check chains not acceptable). _____
- 10.26 Safety "U" Brackets/eyelets or equivalent For attachment of safety chains from implements. _____

CAB

- 10.27 Factory cab After market not acceptable. _____
- 10.28 Instrumentation Alternates, warning light- engine oil pressure light. Gauges – water, fuel, tachometer w/ hour meter _____
- 10.29 Cab Cab with heat and A/C with ROPS with seat belt. _____
- 10.30 Cab doors Two (2) door opening. _____
- 10.31 Radio AM/FM/CD or MP3. _____
- 10.32 LED Work lights Two (2) front and two (2) rear work lights. _____
- 10.33 Seat Air ride seat with compressor. _____

10.34	Wipers	Front and rear wiper/washer.	_____
10.35	Air circulation	Cab air recirculation.	_____
10.36	Rear window defrost	Electric grid on rear windows.	_____
10.37	Roof vent (pop-up style)	Preferred but not required, state .	_____
10.38	Sun visor	Front.	_____
10.39	Cutter/breaker	Combination seat belt cutter and glass breaker.	_____
10.40	Fire extinguisher	2.5 lbs. High volume ABC type, State location.	_____
10.41	Safety lighting	Make and Model: Whelen L31 Series Super-LED, SAE Class 1 (or equivalent) Blue/Amber (individual control) Low Dome Beacon, 360 degree visibility. Wired through ignition, lights shall be wired for separate amber and separate blue labelled independently "winter", "off", "summer". The winter mode will turn on both blue and amber, the summer will only turn on the amber lights.	_____
10.42	Slow moving sign	Slow-moving vehicle warning triangle.	_____
10.43	Safety flashers, turn signals and brake lights	Safety flasher, turn signals and brake lights required.	_____
10.44	Back-up alarm	State dB.	_____
10.45	Horn	Located on steering wheel or dash panel	_____
10.46	Mirrors	Rear view and view mirrors.	_____

ELECTRICAL & REMOTE VALVES

10.47	Light socket	7 pin connector implement light socket with capability to function brake lights of implements.	_____
10.48	Remote control valves	Three (3) pairs rear, two (2) pairs mid mount.	_____

TIRES

Note: Six (6) Units to have Turf R3 tires to be priced only as indicated on Form B: Prices Item 4.

10.49	Tire size, turf R3	Turf R3 tires, state tire size, make/model, front and rear.	_____
10.50	Spare tires (turf R3)	One (1) front.	_____

Note: One (1) Units to have Industrial Tractor R4 tires to be priced only as indicated on Form B: Prices Item 4a.

10.51	Tire size, industrial tractor R4	Industrial tractor R4 tires, state tire size, make/model, front and rear.	_____
10.52	Spare tires (industrial tractor R4)	One (1) front.	_____

Note: one (1) Units to have Agricultural R1 tires to be priced only as indicated on Form B: Prices Item 4b.

10.53	Tire size, agricultural tractor R1	Agricultural R1 tires, state tire size, make/model, front and rear.	_____
10.54	Spare tires (agricultural tractor R1)	One (1) front and one (1) rear.	_____

Note: One (1) Unit to have a set of Agricultural R1 and a set of Turf R3 tires to be priced only as indicated on Form B: Prices Item 4c.

10.55	One (1) set of turf R3 tires	Turf R3 tires, state tire size, make/model, front and rear.	_____
10.56	One (1) set of agricultural tractor R1 tires	Agricultural R1 tires, state tire size, make/model, front and rear.	_____
10.57	Turf tires to be installed at time of delivery.		_____

DIMENSIONS

10.58	Length	State overall length with 3 point hitch.	_____
10.59	Width	State overall width in inches.	_____
10.60	Wheelbase	State wheelbase in inches.	_____
10.61	Height	State height to top of cab in inches.	_____
10.62	Weight	State total operating weight.	_____
10.63	Radius	State turning radius.	_____
10.64	Leader	Quick attachment and removal without tools.	_____

ATTACHMENTS

Note: Options to be priced only as indicated on Form B: Prices Item 4d and 4e.

Option 2: Front Weight Kit

10.65	Front Detachable weights	Front bracket assembly with retaining pin, quick attach pin. Ten (10) approx. 100 lbs/each suitcase style weights. Total weight approx. 1000 lbs.	_____
-------	--------------------------	---	-------

Option 3: Rear Wheel Weight Kit

10.66 Rear wheel weights Rear removable weights, 4 in total approx. 180 lbs. each (2 per side). Total weight approx. 720 lbs. _____

11.0 OPERATOR STATION ERGONOMICS

Entry/ Exit

11.1 First step entry height **State**, height of first step in inches. _____

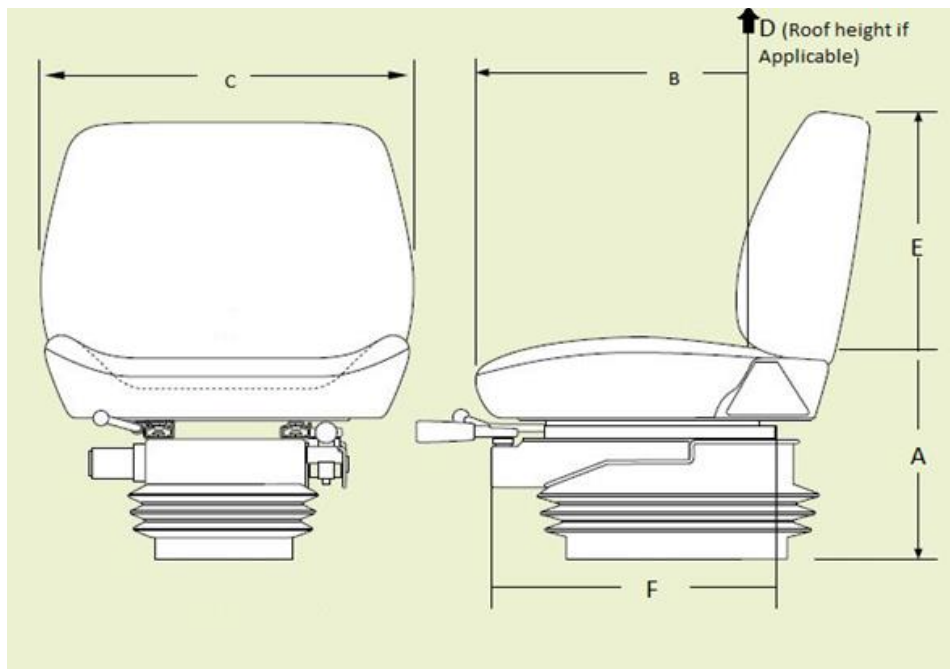
11.2 First handhold entry height **State**, first handhold entry height in inches. _____

11.3 Access to equipment **State**, door opening height in inches. _____

11.4 Access to equipment **State**, door opening width in inches. _____

11.5 Designed to prevent slipping Anti-slip steps/handholds (**Y or N**)? _____

Seat (use below diagram to answer questions)



11.6 Sitting height range from floor (where feet rest) (A) **State**, seat height range in inches. _____

11.7 Seat length/depth (B) **State**, seat length/depth in inches. _____

11.8 Seat width (C) **State**, seat width in inches. _____

11.9 Cab height from seat to roof (if applicable) (D) **State**, cab height range in inches. _____

11.10 Back rest height (E) **State**, back rest height in inches. _____

11.11 Seat travel range (F) **State**, seat travel in inches. _____

- | | | | |
|-------|-------------------------------------|--|-------|
| 11.12 | Lumbar support | Is lumbar support provided (Y or N) ? | _____ |
| 11.13 | Head rest | Is head rest provided (Y or N) ? | _____ |
| 11.14 | Seat is made of breathable material | State , type of seat material. | _____ |

Operation

- | | | | |
|-------|--|---|-------|
| 11.15 | Reaching distance to usual work | State , reaching distance in inches. | _____ |
| 11.16 | Maximum reaching distance | State , maximum reach distance in inches. | _____ |
| 11.17 | Adjustable pedals (accelerator/brake/clutch) | Are pedals adjustable (Y or N) ? | _____ |
| 11.18 | Adjustable steering wheel | Is steering wheel adjustable (Y or N) ? | _____ |
| 11.19 | Adjustable shoulder belt | Is belt adjustable and anchored (Y or N) ? | _____ |

Cargo Area

- | | | | |
|-------|-------------------------------------|--|-------|
| 11.20 | Lid opens to provide adequate space | Lid opens to provide adequate space. | _____ |
| 11.21 | Loading height | State , trunk height in inches. | _____ |

Environment

- | | | | |
|-------|--|--|-------|
| 11.22 | Operator compartment is insulated from equipment noise (while operating) | State , dBA inside cab while operating. | _____ |
| 11.23 | Operator insulated from equipment vibration | Is operator insulated from vibration (Y or N) ? | _____ |
| 11.24 | Heating/cooling systems | State , cab temperature range. | _____ |
| 11.25 | Cab lighting | State , lumens inside cab. | _____ |

12.0 WARRANTY

- | | | | |
|------|---------------------|---|-------|
| 12.1 | Basic coverage | (Complete Machine) Warranty 2 years, 2000 hours. | _____ |
| 12.2 | Powertrain | (Engine, Transmission) Warranty 2 years 2000 hours. | _____ |
| 12.3 | Hydraulics warranty | (Hydraulics) Warranty 2 years, 2000 hours. | _____ |
| 12.4 | Batteries warranty | (Batteries) Warranty 1 year. | _____ |
| 12.5 | Tires warranty | (Tires) Warranty 1 year. | _____ |

12.6 Electrical warranty (Electrical) Warranty 2 years, 2000 hours. _____

12.7 All warranty information shall be detailed and include all exclusions. The successful bidder shall provide all published warranty information upon delivery of the equipment. Bidder shall state all warranty information. _____

13.0 **DELIVERY**

13.1 Delivery Point: The complete unit shall be serviced, ready for operation and delivered F.O.B. with the freight prepaid, including invoice and N.I.V.S. (if applicable) to the WFMA 185 Tecumseh Street, Winnipeg MB. The successful bidder shall be notified by the Contractor Administrator the delivery address prior to issuance of the purchase order. _____

13.2 Delivery Time: To be delivered within the approximate time frame **March 1 to 15, 2018**. Equipment shall be delivered between 8:00 am and 2:00 pm on Business Days. _____

13.3 Delivery Contact: The Contractor shall contact the Contract Administrator prior to delivery of the equipment. _____

13.4 P.D.I: A pre-delivery inspection shall be performed by the Contractor on the equipment. Proof upon inspection including completed check list. _____

14.0 **MANUALS**

14.1 Manuals supplied under this Contract. The manuals shall cover the complete equipment including all components thereof, CD is preferred where available. _____

14.2 The following manuals shall be supplied with the units when delivered:

a) Operator's manual – Two (2) per unit (one operator manual shall be sent to the Equipment Operator Training Branch) _____

b) Parts and service manuals – one (1) complete sets including preventative maintenance schedules. CDs are preferred. _____

15.0 **PARTS/LABOUR PRICING**

15.1 Bidder to provide City of Winnipeg Parts Discount % Pricing from retail parts pricing. **State percentage discount-** %_____

15.2 Bidder to provide City of Winnipeg Labor Discount % Pricing from Retail shop labor rate. **State percentage discount-** %_____

16.0 **FIRST SERVICE PREVENTATIVE MAINTENANCE KIT**

16.1 In order to assure minimum downtime of the equipment in future service, the Contractor shall provide one (1) complete replacement set of new OEM filters for each unit purchased. The set of required filters shall include (if applicable to the equipment type) air, fuel, oil, cab and hydraulic, or otherwise all known necessary common replacement filters required for the first preventative maintenance servicing. _____

- 16.2 The Contractor shall provide a list of factory recommended lubricants to be used with the equipment, as well as a complete cross reference guide for all warranty approved lubricants and filters that can be used during preventative maintenance servicing.

FORM N: DETAILED SPECIFICATIONS 17061
AG TRACTOR (75HP PTO) WITH CAB

1.0 DESCRIPTION OF EQUIPMENT

- 1.1 These specifications describe an **Ag Tractor** and other equipment and features as specified herein.
- 1.2 The **Ag Tractor** shall be a new 2018 model year or newer.
- 1.3 The **Ag Tractor** and all other items/components shall be the manufacturer's latest model. The equipment shall be furnished complete and ready for operation. Any parts or accessories not specifically mentioned, but which are required to complete and place the equipment and associated attachments in successful operation shall be furnished as though specifically mentioned in these specifications. The equipment and associated attachments, and all parts thereof, shall conform in strength and quality of material and workmanship, to the best standards and engineering practice of the industry.
- 1.4 It will be the responsibility of the Bidder to inform the City of any errors or omissions in these specifications, for under this Contract the Contractor shall be held responsible for the satisfactory operational function of the equipment.

2.0 OTHER SPECIFICATIONS AND STANDARDS

- 2.1 All applicable SAE standards form an integral part of these specifications and shall have precedence in any conflict concerning minimum acceptable standards.

- 2.2 The **Ag Tractor** shall comply with the applicable regulations:

National Safety Mark, NSM = <http://www.tc.gc.ca/eng/acts-regulations/acts-road.htm>

Manitoba Safety and Health Act, Parts 12, 22 =
<http://web2.gov.mb.ca/laws/statutes/ccsm/w210e.php> and <http://www.gov.mb.ca/labour/safety/>

Canadian Standards Association, CSA = <http://www.csa.ca/about/Default.asp?language=english>

Under Writers of Canada, U/L = <http://www.ulc.ca/>

Society of Automotive Engineers, SAE = <http://www.sae.org/>

City of Winnipeg Lighting Visibility
Standard=<http://winnipeg.ca/matmgt/pdfs/PublicWorksEquipLightingVisibility.pdf>.

- 2.3 It will be the responsibility of the Bidder to inform the City of any deficiencies in these specifications, for under this Contract the Contractor shall be held responsible for the design, performance, reliability and satisfactory operational function of the units.

3.0 SERVICE FACILITY

- 3.1 For the purpose of warranty repairs, the Bidder shall have an authorized service facility located within 10 km of the boundaries of the City of Winnipeg. The facility, or a portion thereof, shall be dedicated to the service and maintenance of the type equipment being offered. Further to B9.1, Bidders shall provide a description of the service facility including, but not limited to, number of qualified service staff, years of service experience, and general service capabilities within three (3) Business Days upon request of the Contract Administrator.

4.0 REFERENCES

4.1 Provide five (5) references where this equipment is used in a working environment where climatic conditions are similar to the City of Winnipeg.

5.0 MAKE & MODEL

5.1 Eligible models are: **Kubota M5-091, John Deere 5085M or 5090M, Case Farmall 90C, New Holland Powerstar 90 or EQUIVALENT.**

5.2 **State** make, model and year of the equipment bid-_____

6.0 INSTRUCTIONS FOR COMPLETION OF SPECIFICATIONS

6.1 Each bid will be evaluated based on adherence to all terms, conditions and requirements outlined in the Bid Opportunity package.

6.2 All items in these specifications must be answered indicating compliance or non-compliance. **BIDDERS SHALL STATE "YES" FOR COMPLIANCE OR STATE DEVIATION**, or give reply where requested to do so. Deviations shall be clearly stated and fully detailed. Alternatives will be considered subject to evaluation.

6.3 **EACH BIDDER IS REQUIRED TO FILL IN EVERY BLANK. FAILURE TO DO SO MAY BE USED AS A BASIS FOR REJECTION OF BID**

7.0 PERFORMANCE RELIABILITY

7.1 The responsibility for the design of the **Ag Tractor**, its performance and reliability shall rest upon the Contractor.

7.2 The term "repeated failures" as used herein is defined to mean that the same component, subassembly, or assembly develops repeated defects, breakdowns and/or malfunctions rendering the vehicle inoperative, or requiring repeated shop correction, service and/or replacement during the warranty period applicable for said component, subassembly, of assembly. Minor items or ordinary service adjustments are not included, or considered under the scope of "repeated failures", as well as other factors, such as operational damage due to accidents, misuse or lack of proper maintenance, service and lubrication attention by not following the manufacturer's preventative maintenance schedule.

7.3 Where the **Ag Tractor** develops "repeated failures" in service, the Contractor shall make any necessary engineering changes, repairs, alterations or modifications in order to guarantee reliability of performance.

7.4 The equipment shall be capable of consistent top performance in City of Winnipeg Environment. Note: The City of Winnipeg has four seasons with ambient temperatures ranging from approximately 90°F (32°C) to -40°F (-40°C)

8.0 FUEL

8.1 Where applicable, all equipment must be fully fuelled upon delivery (no exceptions).

9.0 QUALIFICATIONS OF MANUFACTURER & CONTRACTOR

- 9.1 The manufacturer of the **Ag Tractor** shall have five (5) years continuous experience manufacturing the equipment.
- 9.2 The manufacturer shall have in effect a documented quality control program ensuring that the quality of materials and workmanship, including welding, conforms to the best standards and engineering practice of the industry.
- 9.3 The Contractor shall have five (5) years continuous experience servicing, repairing and maintaining **Ag Tractor and associated attachments** of the type being offered.

10.0 SPECIFICATIONS:

ENGINE

- | | | | |
|------|---------------------|--|-------|
| 10.1 | Engine type | Diesel, state manufacturer. | _____ |
| 10.2 | Tier | Tier IV interim or final, state . | _____ |
| 10.3 | Engine HP (Gross) | Approx. 90 HP. | _____ |
| 10.4 | PTO HP | Approx. 75 HP. | _____ |
| 10.5 | Rated speed, RPM | State rated RPM Speed. | _____ |
| 10.6 | Air cleaner | Dry type air cleaner. | _____ |
| 10.7 | Fuel tank capacity | State capacity.
The City of Winnipeg requires units to carry enough fuel to run 10 shifts without refueling. Normal usage cutting grass and travel between work sites. | _____ |
| 10.8 | Throttle | Hand or foot throttle control, state . | _____ |
| 10.9 | Engine block heater | Cold weather operation. | _____ |

ELECTRICAL

- | | | | |
|-------|----------------------------------|--|-------|
| 10.10 | Alternator | Approx. 125 Amps, State . | _____ |
| 10.11 | Lockable power disconnect switch | Connected to battery. Prevents low-draw accessories from draining battery in long-term storage. Switch to be lockable with a pad lock. | _____ |

DRIVE TRAIN

- | | | | |
|-------|---------------|---|-------|
| 10.12 | Transmission | Power shuttle with 12 speeds, wet disc clutch. | _____ |
| 10.13 | No. of speeds | State , No. of speeds for forward and reverse. | _____ |
| 10.14 | Brakes | Wet, multi disc. | _____ |

- 10.15 Steering Hydrostatic power steering. _____
- 10.16 Drive 4x4 (4 wheel drive). _____

PTO

- 10.17 Type Full independent of manual. _____
- 10.18 Rear 540 rpm Approx. 540/540E (with economy operation that lowers engine RPM to save fuel). _____

HYDRAULICS

- 10.19 Pump gpm **State** gpm. _____
- 10.20 Total flow **State** total gpm flow. _____
- 10.21 Mid mount hydraulic couplers Remote hydraulics with ability to control two (2) separate functions, quick release connectors. _____
- 10.22 Rear mount hydraulic couplers Remote hydraulics with ability to control Three (3) separate functions, quick release connectors. _____
- 10.23 Hitch lift **State** hitch lift capacity. _____
- 10.24 Hitch category Adjustable category I and II (3) point hitch. _____
- 10.25 Adjustable stabilizer linkage To secure rear mounted attachments (check chains not acceptable). _____
- 10.26 Safety "U" Brackets/eyelets or equivalent For attachment of safety chains from implements. _____

CAB

- 10.27 Factory cab After market not acceptable. _____
- 10.28 Instrumentation Alternates, warning light- engine oil pressure light. Gauges – water, fuel, tachometer w/ hour meter _____
- 10.29 Cab Cab with heat and A/C with ROPS with seat belt. _____
- 10.30 Cab doors Two (2) door opening. _____
- 10.31 Radio AM/FM/CD or MP3. _____
- 10.32 LED Work lights Two (2) front and two (2) rear work lights. _____
- 10.33 Seat Air ride seat with compressor. _____
- 10.34 Wipers Front and rear wiper/washer. _____

Template Version: F020170317 - Fleet

10.35	Air circulation	Cab air recirculation.	_____
10.36	Rear window defrost	Electric grid on rear windows.	_____
10.37	Roof vent (pop-up style)	Preferred but not required, state .	_____
10.38	Sun visor	Front.	_____
10.39	Cutter/breaker	Combination seat belt cutter and glass breaker.	_____
10.40	Fire extinguisher	2.5 lbs. High volume ABC type, State location.	_____
10.41	Safety lighting	Make and Model: Whelen L31 Series Super-LED, SAE Class 1 (or equivalent) Blue/Amber (individual control) Low Dome Beacon, 360 degree visibility. Wired through ignition, lights shall be wired for separate amber and separate blue labelled independently "winter", "off", "summer". The winter mode will turn on both blue and amber, the summer will only turn on the amber lights.	_____
10.42	Slow moving sign	Slow-moving vehicle warning triangle.	_____
10.43	Safety flashers, turn signals and brake lights	Safety flasher, turn signals and brake lights required.	_____
10.44	Back-up alarm	State dB.	_____
10.45	Horn	Located on steering wheel or dash panel	_____
10.46	Mirrors	Rear view and view mirrors.	_____

ELECTRICAL & REMOTE VALVES

10.47	Light socket	7 pin connector implement light socket with capability to function brake lights of implements.	_____
10.48	Remote control valves	Three (3) pairs rear (2 float type valves and 1 self-cancelling valve), two (2) pairs mid mount.	_____

TIRES

10.49	Tire size, agricultural tractor R1	Agricultural R1 tires, state tire size, make/model, front and rear.	_____
10.50	Spare tires (agricultural tractor R1)	One (1) front and one (1) rear.	_____

DIMENSIONS

10.51	Length	State overall length with 3 point hitch.	_____
10.52	Width	State overall width in inches.	_____
10.53	Wheelbase	State wheelbase in inches.	_____
10.54	Height	State height to top of cab in inches.	_____
10.55	Weight	State total operating weight.	_____
10.56	Radius	State turning radius.	_____

ATTACHMENTS

Note: Options to be priced only as indicated on Form B: Prices Item 5a.

Option 4: Rear and Side Flail Mowers

10.57	Rear Flail Mower	State , make model being bid.	_____
10.58	Positioning	Rear centered	_____
10.59	Cutting width	Approx. 88 inches, state cutting width. 8 ½ inch right hand offset.	_____
10.60	Cutting knives	Two (2) sets (1 set installed and 1 spare set). Standard cut.	_____



10.61	Mount	Category I or II, 3-point hitch without offset mounting.	_____
10.62	Gear box	540 RPM	_____
10.63	Side Flail Mower	State , make model being bid.	_____
10.64	Positioning	Side	_____
10.65	Cutting width	Approx. 74 inches, state cutting width.	_____
10.66	Cutting knives	Two (2) sets (1 set installed and 1 spare set). Standard cut.	_____



10.67	Gear box	540 RPM	_____
10.68	Hydraulic system	Hydraulically driven with a piston pump system. Side flail to be lifted with hydraulic cylinder, cables not acceptable.	_____

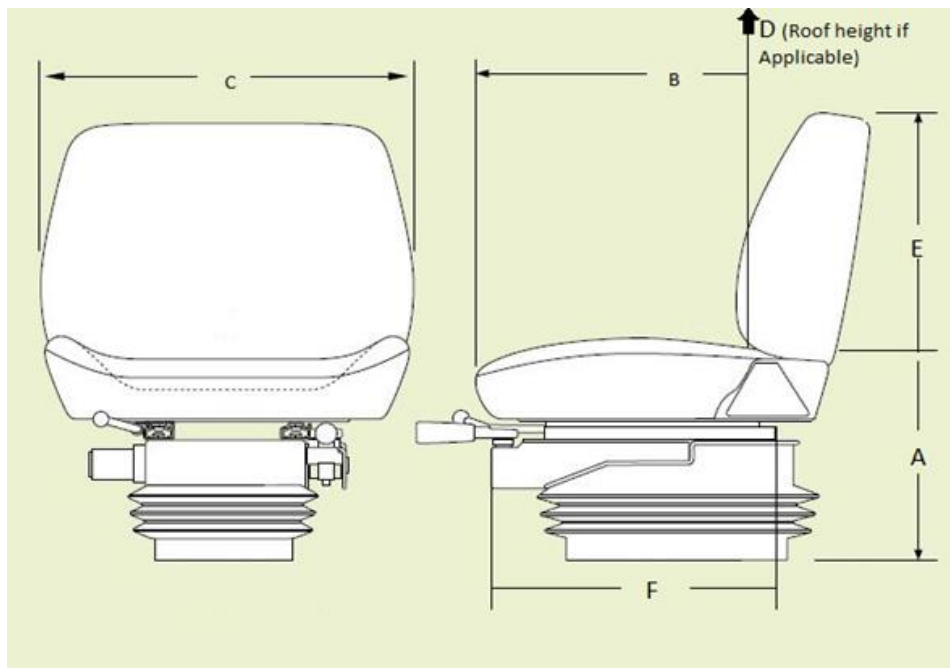
- 10.69 Hydraulic tank Capacity approximately 18 Gallon (US). **State** capacity. Front mounted tank (side mounted tank not acceptable). _____
- 10.70 Combined cutting width of rear and side flail mowers Approx. 12 feet. Cutting swath of rear and side flail mowers to overlap. _____
- 10.71 Bidder to supply and install counterweights (front, rear wheels etc.) that may be required to complete and place the tractor and flail mowers in successful operation. _____
- 10.72 Manufacturer of rear flail to be the same as side flail. _____
- 10.73 Rear and Side Flail Mowers to be installed on tractor prior to delivery. _____

11.0 OPERATOR STATION ERGONOMICS

Entry/ Exit

- 11.1 First step entry height **State**, height of first step in inches. _____
- 11.2 First handhold entry height **State**, first handhold entry height in inches. _____
- 11.3 Access to equipment **State**, door opening height in inches. _____
- 11.4 Access to equipment **State**, door opening width in inches. _____
- 11.5 Designed to prevent slipping Anti-slip steps/handholds (**Y or N**)? _____

Seat (use below diagram to answer questions)



- 11.6 Sitting height range from floor (where feet rest) (A) **State**, seat height range in inches. _____
- 11.7 Seat length/depth (B) **State**, seat length/depth in inches. _____

- | | | | |
|-------|--|---|-------|
| 11.8 | Seat width (C) | State , seat width in inches. | _____ |
| 11.9 | Cab height from seat to roof (if applicable) (D) | State , cab height range in inches. | _____ |
| 11.10 | Back rest height (E) | State , back rest height in inches. | _____ |
| 11.11 | Seat travel range (F) | State , seat travel in inches. | _____ |
| 11.12 | Lumbar support | Is lumbar support provided (Y or N)? | _____ |
| 11.13 | Head rest | Is head rest provided (Y or N)? | _____ |
| 11.14 | Seat is made of breathable material | State , type of seat material. | _____ |

Operation

- | | | | |
|-------|--|--|-------|
| 11.15 | Reaching distance to usual work | State , reaching distance in inches. | _____ |
| 11.16 | Maximum reaching distance | State , maximum reach distance in inches. | _____ |
| 11.17 | Adjustable pedals (accelerator/brake/clutch) | Are pedals adjustable (Y or N)? | _____ |
| 11.18 | Adjustable steering wheel | Is steering wheel adjustable (Y or N)? | _____ |
| 11.19 | Adjustable shoulder belt | Is belt adjustable and anchored (Y or N)? | _____ |

Cargo Area

- | | | | |
|-------|-------------------------------------|--|-------|
| 11.20 | Lid opens to provide adequate space | Lid opens to provide adequate space. | _____ |
| 11.21 | Loading height | State , trunk height in inches. | _____ |

Environment

- | | | | |
|-------|--|---|-------|
| 11.22 | Operator compartment is insulated from equipment noise (while operating) | State , dBA inside cab while operating. | _____ |
| 11.23 | Operator insulated from equipment vibration | Is operator insulated from vibration (Y or N)? | _____ |
| 11.24 | Heating/cooling systems | State , cab temperature range. | _____ |
| 11.25 | Cab lighting | State , lumens inside cab. | _____ |

12.0 **WARRANTY**

- | | | | |
|------|----------------|---|-------|
| 12.1 | Basic coverage | (Complete Machine) Warranty 2 years, 2000 hours. | _____ |
| 12.2 | Powertrain | (Engine, Transmission) Warranty 2 years 2000 hours. | _____ |

- 12.3 Hydraulics warranty (Hydraulics) Warranty 2 years, 2000 hours. _____
- 12.4 Batteries warranty (Batteries) Warranty 1 year. _____
- 12.5 Tires warranty (Tires) Warranty 1 year. _____
- 12.6 Electrical warranty (Electrical) Warranty 2 years, 2000 hours. _____
- 12.7 All warranty information shall be detailed and include all exclusions. The successful bidder shall provide all published warranty information upon delivery of the equipment. Bidder shall state all warranty information. _____
- 13.0 **DELIVERY**
- 13.1 Delivery Point: The complete unit shall be serviced, ready for operation and delivered F.O.B. with the freight prepaid, including invoice and N.I.V.S. (if applicable) to the WFMA 185 Tecumseh Street, Winnipeg MB. The successful bidder shall be notified by the Contractor Administrator the delivery address prior to issuance of the purchase order. _____
- 13.2 Delivery Time: To be delivered within the approximate time frame **March 1 to 15, 2018**. Equipment shall be delivered between 8:00 am and 2:00 pm on Business Days. _____
- 13.3 Delivery Contact: The Contractor shall contact the Contract Administrator prior to delivery of the equipment. _____
- 13.4 P.D.I: A pre-delivery inspection shall be performed by the Contractor on the equipment. Proof upon inspection including completed check list. _____
- 14.0 **MANUALS**
- 14.1 Manuals supplied under this Contract. The manuals shall cover the complete equipment including all components thereof, CD is preferred where available. _____
- 14.2 The following manuals shall be supplied with the units when delivered:
- a) Operator's manual – Two (2) per unit (one operator manual shall be sent to the Equipment Operator Training Branch _____
- b) Parts and service manuals – one (1) complete sets including preventative maintenance schedules. CDs are preferred. _____
- 15.0 **PARTS/LABOUR PRICING**
- 15.1 Bidder to provide City of Winnipeg Parts Discount % Pricing from retail parts pricing. **State percentage discount-** %_____
- 15.2 Bidder to provide City of Winnipeg Labor Discount % Pricing from Retail shop labor rate. **State percentage discount-** %_____

16.0 **FIRST SERVICE PREVENTATIVE MAINTENANCE KIT**

- 16.1 In order to assure minimum downtime of the equipment in future service, the Contractor shall provide one (1) complete replacement set of new OEM filters for each unit purchased. The set of required filters shall include (if applicable to the equipment type) air, fuel, oil, cab and hydraulic, or otherwise all known necessary common replacement filters required for the first preventative maintenance servicing. _____
- 16.2 The Contractor shall provide a list of factory recommended lubricants to be used with the equipment, as well as a complete cross reference guide for all warranty approved lubricants and filters that can be used during preventative maintenance servicing. _____